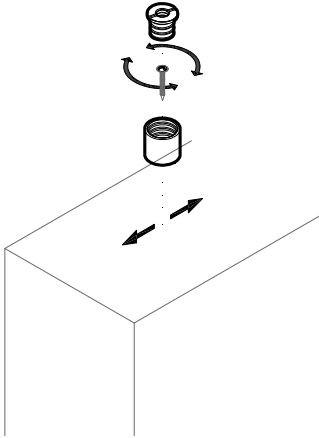
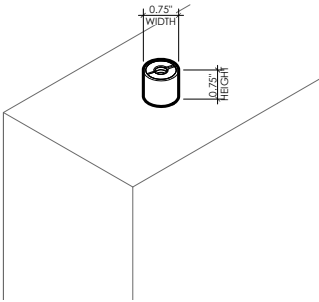
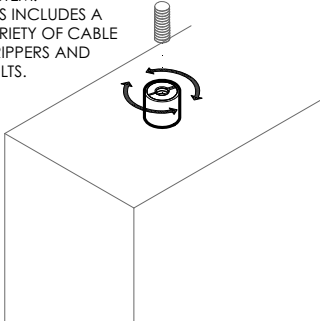


UNIVERSIAL COUPLER HARDWARE

1/4"-20 THREADED COUPLERS ARRIVE INSTALLED ON EACH BAFFLE.

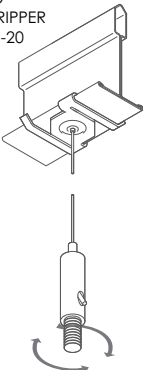


THE COUPLER CAN CONNECT TO ANY 1/4"-20 THREADED SYSTEM. THIS INCLUDES A VARIETY OF CABLE GRIPPERS AND BOLTS.

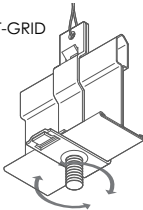


HARDWARE ATTACHMENT BY OTHERS

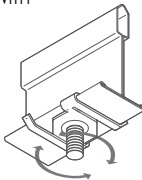
T-GRID TO CABLE GRIPPER WITH 1/4"-20



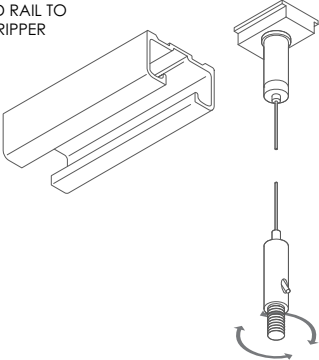
SUSPENDED T-GRID CLAMP WITH 1/4"-20 BOLT



T-GRID CLAMP WITH 1/4"-20 BOLT



EXTRUDED RAIL TO CABLE GRIPPER



STRUT AND 1/4"-20 SPRING-NUT (SUSPENDED W/ALL-THREAD ROD)

