

# SLATZ

wood wall panel  
& tile solutions

---

 SOELBERG

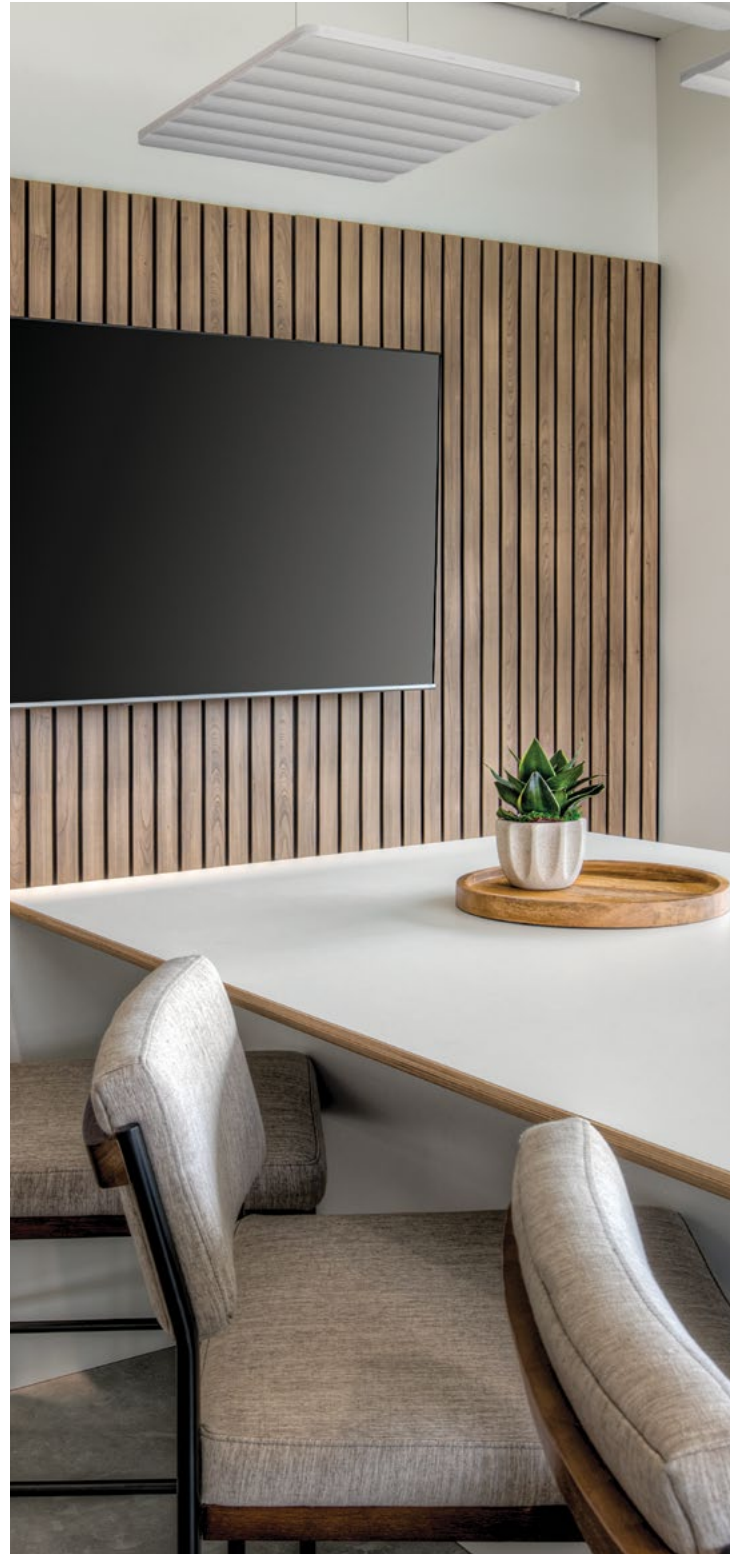
# SLATZ

## wood wall panel & tile solutions

The beauty of rich TFL wood grain planks and the performance of sound absorbing PET acoustic core make Slatz wall panels and tiles your solution for unforgettable spaces. With luxuriously affordable and durable core materials, fast and easy installation with full panel, half panel or tile options, it isn't just our incredibly short lead time that makes Slatz so appealing.

## SPECIFICATION

<b>CONTENT</b>	TFL COVERED MDF & PET
<b>CORE THICKNESS</b>	3/4" (1/4" TFL   MDF & 1/2" PET)
<b>GRAINS</b>	6 TFL WOOD GRAINS
<b>ORIENTATION</b>	HORIZONTAL OR VERTICAL
<b>SIZE</b>	47.5" x 96"   FULL PANEL 47.5" x 48"   HALF PANEL 22.5" x 22.5"   TILE
<b>WEIGHT</b>	1 1/2 LBS   SQUARE FOOT
<b>ACOUSTICS</b>	up to 0.65 NRC
<b>FIRE RATING</b>	CLASS B   ASTM - E84
<b>ENVIRONMENTAL</b>	TFL & MDF CORES ARE GREENGUARD GOLD CERTIFIED AND CONSIST OF 100% RECYCLED AND/OR RECOVERED FIBER.  PET CORE IS DELCARE, MINDFUL MATERIALS & GREENGUARD GOLD CERTIFIED. MUTO IS PRODUCED FROM 100% RECYCLABLE PET FELT WITH A MINIMUM OF 60% PRE-CONSUMER RECYCLED CONTENT.
<b>LEAD TIME</b>	2 - 3 WEEKS
<b>WARRANTY</b>	2 YEARS



## MAINTENANCE

Vacuum to remove dirt and dust. Remove spills or spots immediately using a clean micro-fiber cloth and mild liquid soap.

Avoid using abrasive cleaning materials such as steel wool, scrubbing pads, sponges with abrasive surfaces, cream cleaners or strong concentrated acids.

# GRAINS

## MATTE FINISH

6 STANDARD TFL GRAINS  
MDF CORE  
BLACK PET BACKER

\*\*\*Please request samples to verify grain color as monitors and printers vary.

## WHAT IS TFL?

What is TFL? Thermally fused laminate is made from resin-saturated paper that is fused directly to a wood composite core under very high heat and pressure. With textured wood grain options, TFL is an incredibly durable and affordable wood alternative.

## WHAT IS PET

What is PET? Polyethylene Terephthalate is an affordable and high performing acoustic thermoplastic core material.



WHITE NEBBIA



JASPER



SEROTINA



KIRSCHKE



NATURAL MARRONE



EVENING NOTTE

# SIZE

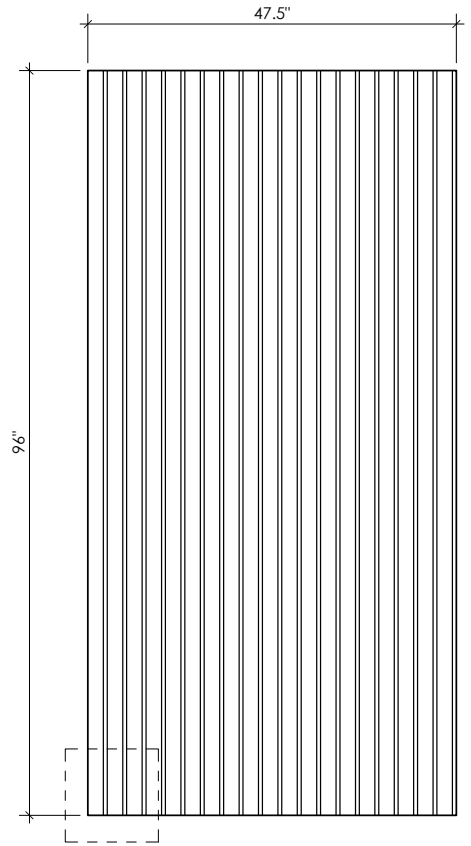
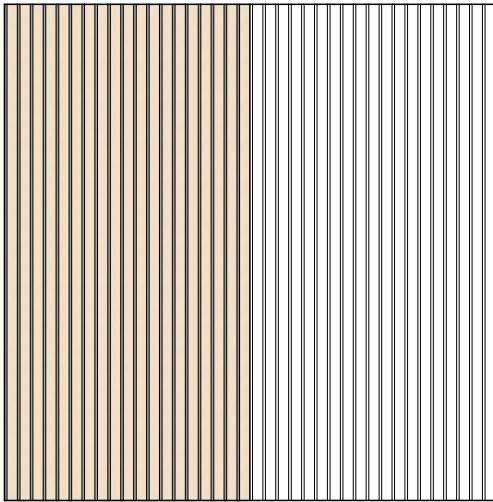
## SLATZ FULL PANEL

PANEL SIZE: 47.5" x 96"  
PLANK SIZE: 2" x 96"  
SPACING: .5"  
PANEL THICKNESS: .75"

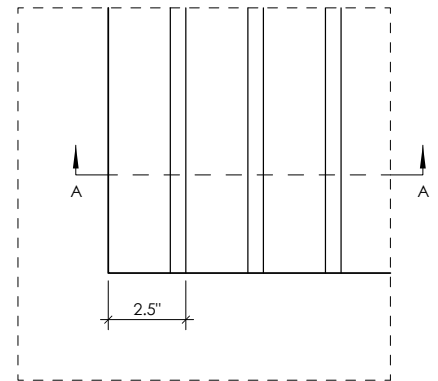
## SEAM REPEAT

Each Slatz vertical full panel is made with a 2" plank beginning at the left side of the panel and a .5" gap ending at the right side of the panel for horizontal continuation with no visible seam from panel to panel. For seamless installation, panels must be installed with left to right orientation or top to bottom orientation.

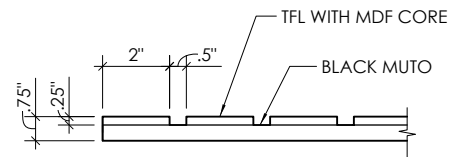
Slatz panels will have a visible seam from panel to panel as wood grain matching is not available.



SLATZ PANEL 47.5" x 96"



DETAIL: 2.4" PLANKS



SECTION AA

# SIZE

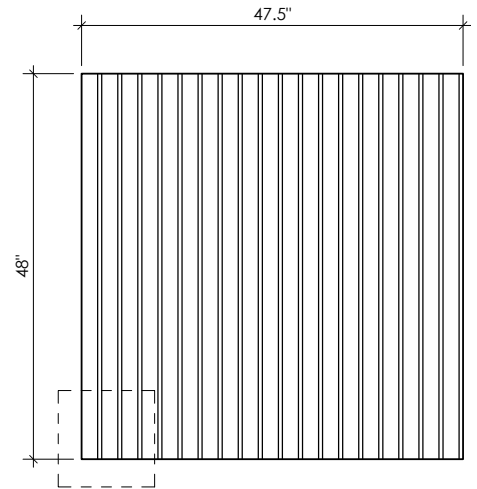
## SLATZ HALF PANEL

PANEL SIZE: 47.5" x 48"  
PLANK SIZE: 2" x 48"  
SPACING: .5"  
PANEL THICKNESS: .75"

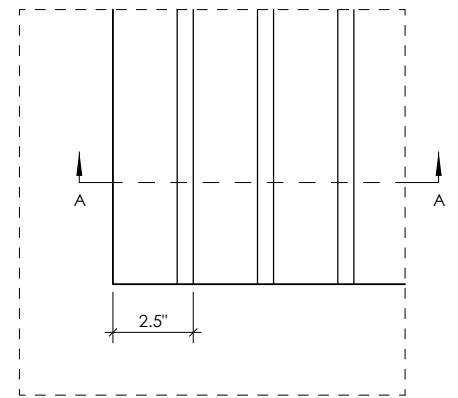
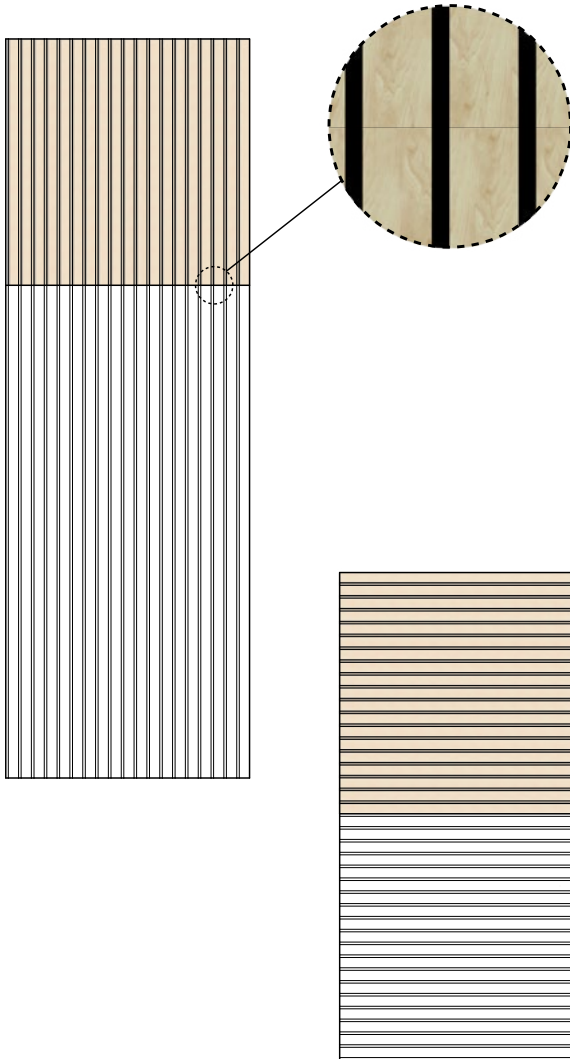
## SEAM REPEAT

Each Slatz vertical full panel is made with a 2" plank beginning at the left side of the panel and a .5" gap ending at the right side of the panel for horizontal continuation with no visible seam from panel to panel. For seamless installation, panels must be installed with left to right orientation or top to bottom orientation.

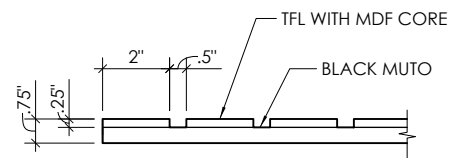
Slatz panels will have a visible seam from panel to panel as wood grain matching is not available.



SLATZ PANEL 47.5" x 96"



DETAIL: 2.4" PLANKS

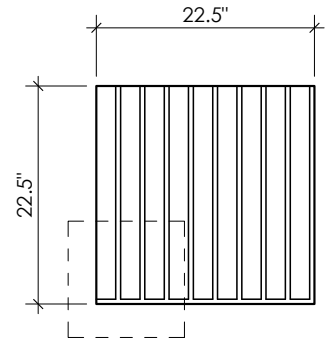


SECTION AA

# SIZE

## SLATZ TILE

TILE SIZE: 22.5" x 22.5"  
PLANK SIZE: 2" x 22.5"  
SPACING: .5"  
TILE THICKNESS: .75"

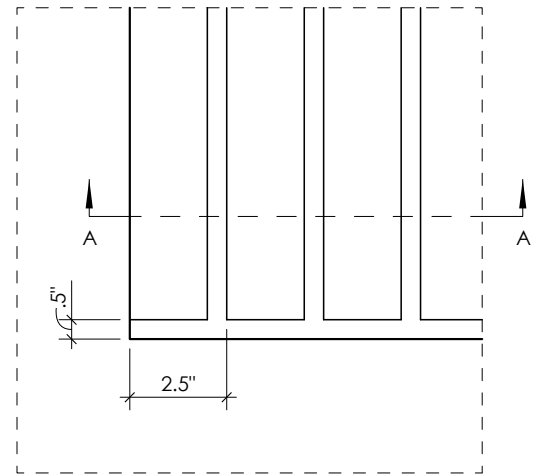
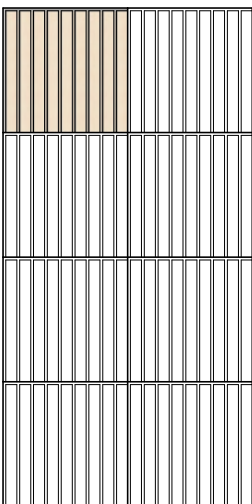
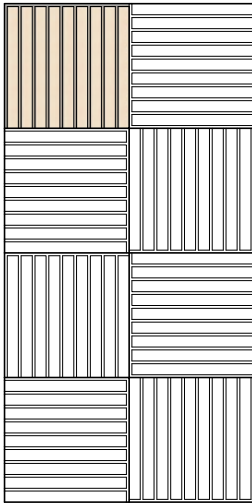


SLATZ TILE 22.5" x 22.5"

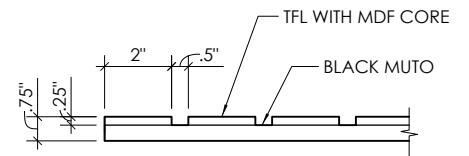
## SEAM REPEAT

Each Slatz tile is made with a 2" plank beginning at the left side of the panel and a .5" gap ending at the right side of the panel and bottom of the panel.

Slatz files will have a visible gap from tile to tile. Slatz files will also have a visible seam from tile to tile as wood grain matching is not available.



DETAIL: 2.4" PLANKS



SECTION AA

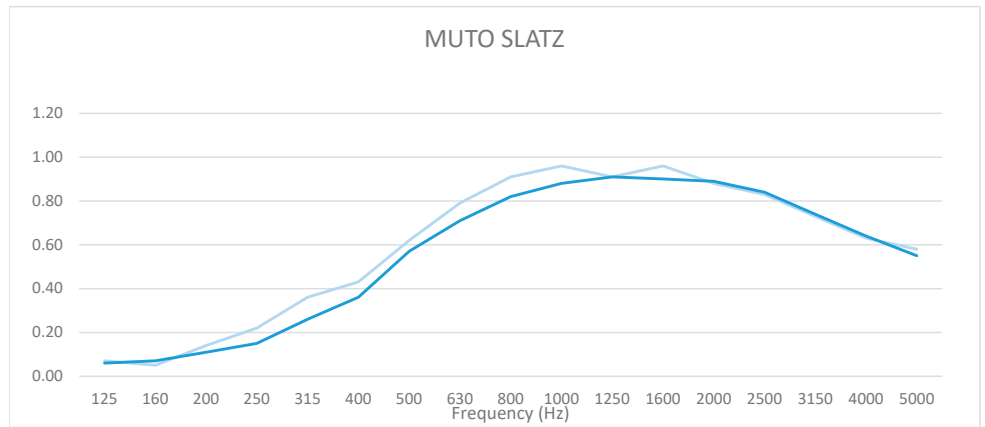
# ACOUSTICS

## NRC TEST DATA

Higher NRC ratings mean higher sound absorbency. The performance of Slatz increases with an air gap between panel and wall.\*

NRC values will vary based on customization and specific installation details. NRC values will increase as the air gap behind the panel increases.

Contact your sales representative to learn more.



### PRODUCT MOUNTING

			SAMPLE FREQUENCY (Hz)				NRC	SAA
			250	500	1000	2000		
SLATZ	DIRECT	α	0.15	0.57	0.88	0.89	0.60	0.00
	Z-CLIP		0.22	0.62	0.96	0.88	0.65	0.00



# ENVIRONMENTAL

## DECLARE, MINDFUL MATERIALS & GREENGUARD GOLD CERTIFIED

We care about the environment and it matters that our materials support healthy and productive interior spaces. We use innovative materials but ensure that they meet the highest level of standards and expectations.

TFL AND MDF cores consist of 100% recycled and / or recovered fiber and are GreenGuard Gold certified.

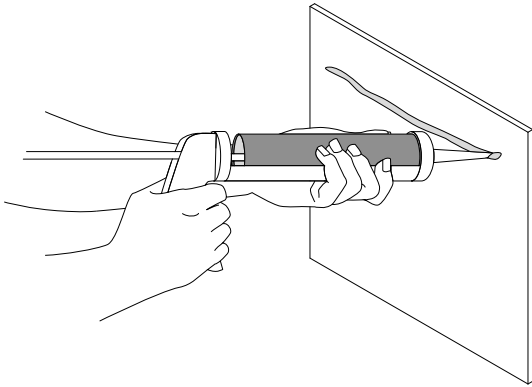
MUTO PET felt core material is 100% recyclable with no added urea formaldehyde with a minimum of 60% pre-consumer recycled content. MUTO is Declare, Mindful Materials and GreenGuard Gold certified.





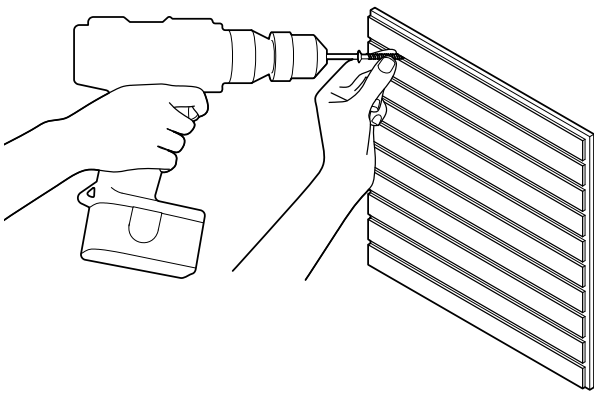
# INSTALLATION

## CONSTRUCTION ADHESIVE



Slatz can be installed using construction-grade adhesive supplied by the contractor. Please consult a licensed professional and follow all building codes.

## DIRECT SCREW



Slatz can also be screwed directly to any existing surface using studs for anchoring location. Screws should fit between the slats in the .5" gap. Please consult a licensed professional and follow all building codes.

